



609200

Wheel hub nut → MB, MAN, DAF, Iveco, BPW, SAF

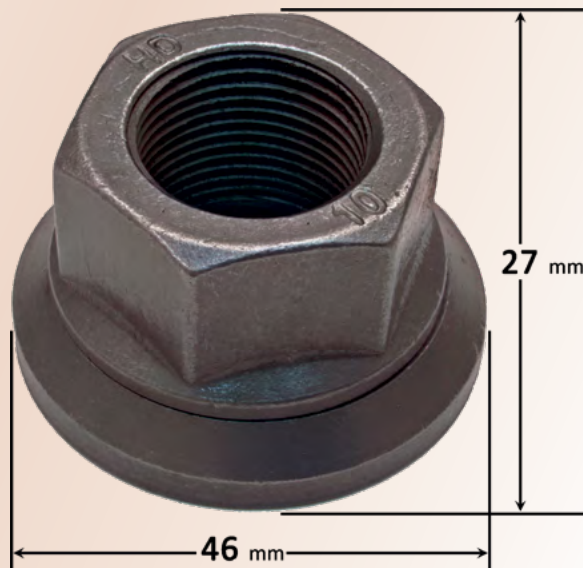
M22 x 1,5 mm - 6H

Material: 40 Cr

Grade: 10

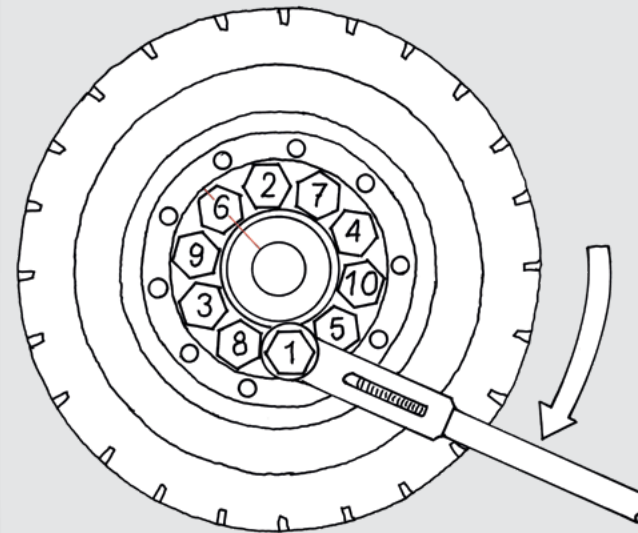
Finishing: Phosphate

Color: Dark grey



0,15 kg

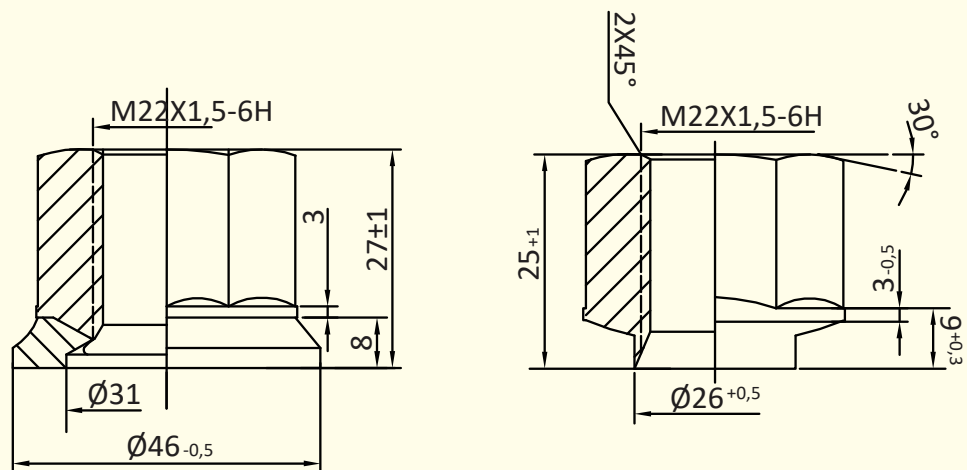
 Before removing the wheels,
mark them so that they can be
put back in the same position.

 Thoroughly clean the contact surfaces
between the rim, drum and hub.

 1st. tighten around
60Nm 6,2 kpm

 2nd. tighten around
650 Nm 66,3 kpm

 After 100 km check around
650 Nm 66,3 kpm

Please notice more specific instructions at the beginning of this wheel hub nut&stud section.



How to install wheel hub studs on a wheel hub.

