



309200

Wheel hub nut → Scania

Sc ref.

- 2285273
- 1749034
- 1365510
- 318690
- 243956

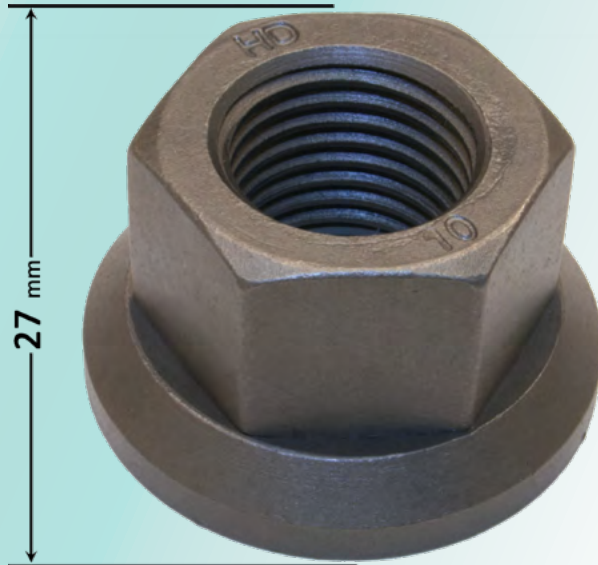
BSF 7/8" - 11T

Material: 40 Cr

Grade: 10

Finishing: Phosphate

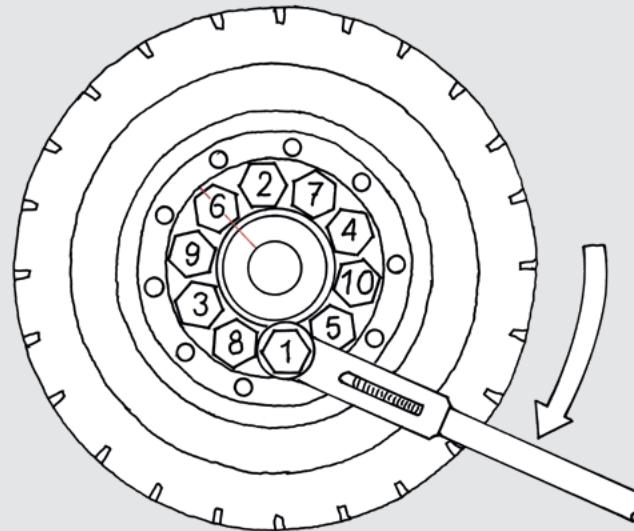
Color: Dark grey



0,16 kg

Before removing the wheels, mark them so that they can be put back in the same position.

Thoroughly clean the contact surfaces between the rim, drum and hub.



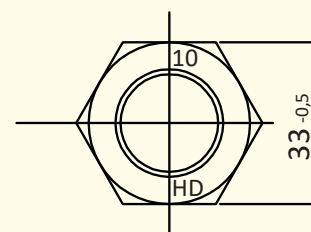
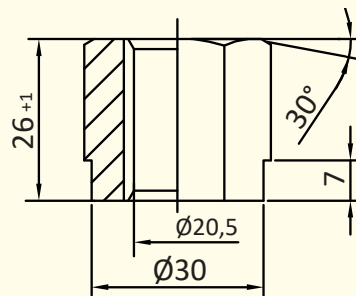
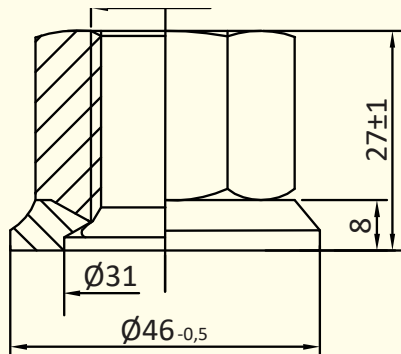
New torque info from Scania from 10/2022 →

1st. tighten around **60Nm 6,2 kpm**

2nd. tighten around **600 Nm 61,2 kpm**

After 100 km check around **600 Nm 61,2 kpm**

Please notice more specific instructions at the beginning of this wheel hub nut&stud section.



How to install wheel hub studs on a wheel hub.

